



# BAABS G3 SWIVEL STRAP ASSEMBLY

Blasting Accessories & Assist Bracket System

## BAABS G3 Swivel Strap Assembly w/ Pneumatic G3 Trigger Deadman



## BAABS G3 Swivel Strap Assembly Straps & Swivel Strap Buckle Release Tool



## BAABS G3 Swivel Strap Assembly Hose Adapter



The new BAABS (Blasting Accessories and Assist Bracket System) G3 Swivel Strap Assembly is designed to be mounted on the blast hose with the Schmidt® G3 Trigger Deadman. Just like other members of the BAABS family, the G3 Swivel Strap Assembly also reduces the overall physical demand on blasters with easy-to-install Straps and Strap Adapter. This design allows easy swiveling around the blast hose to maintain a comfortable hand position during abrasive blasting. These features combine to dramatically reduce grip and arm fatigue, thus enabling longer continuous blasting durations or more nozzle on time per workday and better focus on controlling the blast pattern, which improves safety and productivity. BAABS G3 Swivel Strap Adapters are marked with 1-2 or 3-4 on the side of the adapter, indicating the blast hose size. The 1-2 adapter fits over 1/2" - 7/8" thick wall blast hose, while the 3-4 adapter fits 1/4" - 3/8" thick wall blast hose. The G3 Swivel Strap Assembly is adaptable to blast in standard and tight blasting spaces.

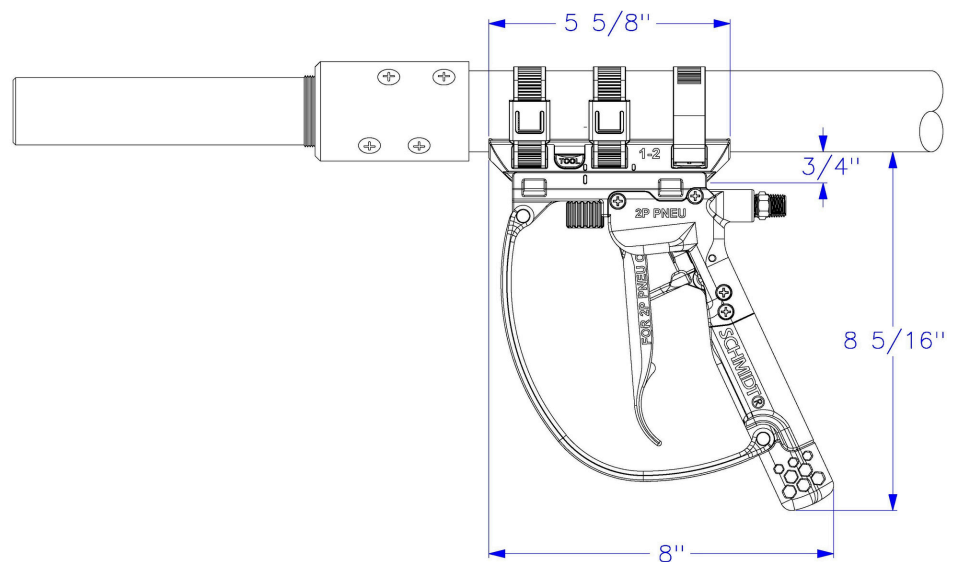
### RESPONSE AND RELIABILITY

- System includes the G3 Trigger deadman, which shares time-proven components with the Schmidt G2 deadman to provide improved response and enhanced reliability
- Safety flap prevents inadvertent trigger activation until actuated with the thumb
- Trigger guard provides additional protection
- G3 Swivel Strap Assembly can swivel around the blast hose while maintaining grip
- A Triple Strap lock system installed to the adapter ensures that the G3 Swivel Strap Assembly stays secure around the blast hose

### FEATURES

- G3 Trigger Deadman Controls - Electric or Pneumatic
- Adjustable for standard and crevice blasting

### BAABS G3 SWIVEL STRAP ASSEMBLY



© 2026 Schmidt. All rights reserved. Scan the QR code for product, patent, trademark, and legal information.



US: 1-800-231-2085  
Asia: +603-7865 6524  
Middle East: +966-54-500-8808



[schmidtmfg.com](http://schmidtmfg.com)